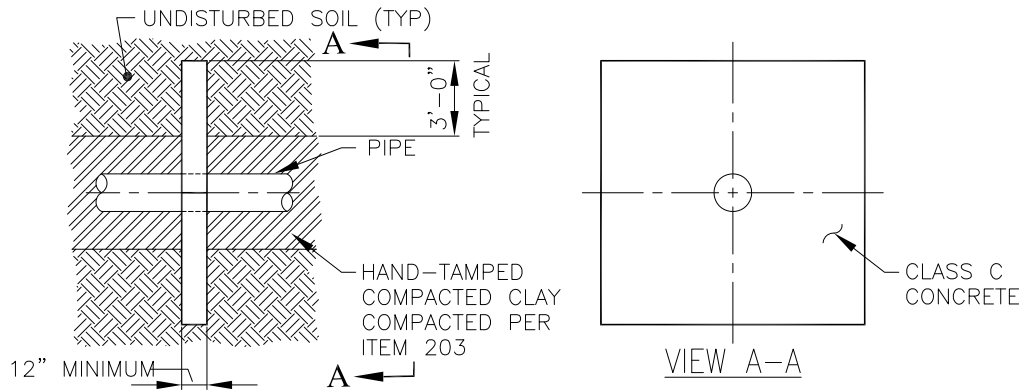


ANTI-SEEP COLLAR NOTES:

SPACING BETWEEN ADJACENT COLLARS SHALL BE A MINIMUM OF 5 FEET WITH THE FIRST COLLAR BEING A MINIMUM OF 5 FEET FROM THE INLET.

FURNISH A MINIMUM OF 2 COLLARS PER OUTLET CONDUIT.

ALL ANTI-SEEP COLLARS AND THEIR CONNECTIONS SHALL BE WATERTIGHT.



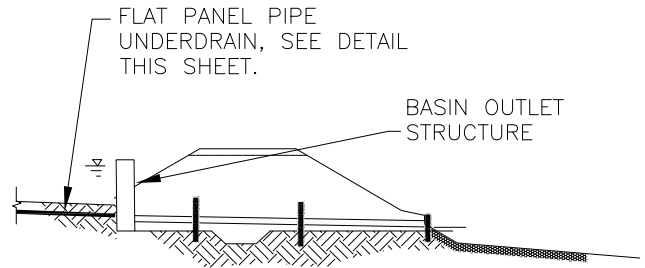
ANTI-SEEP COLLAR DETAIL

UNDERDRAIN NOTES:

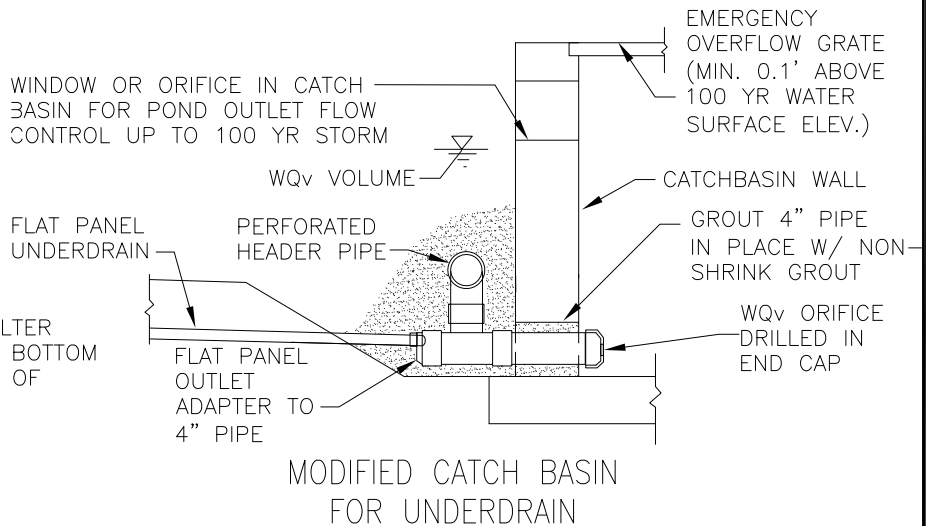
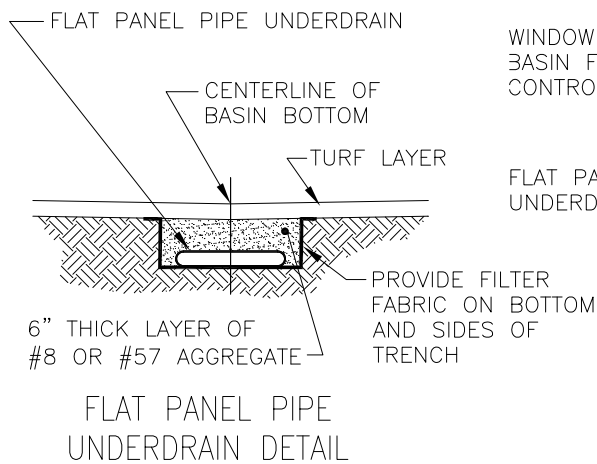
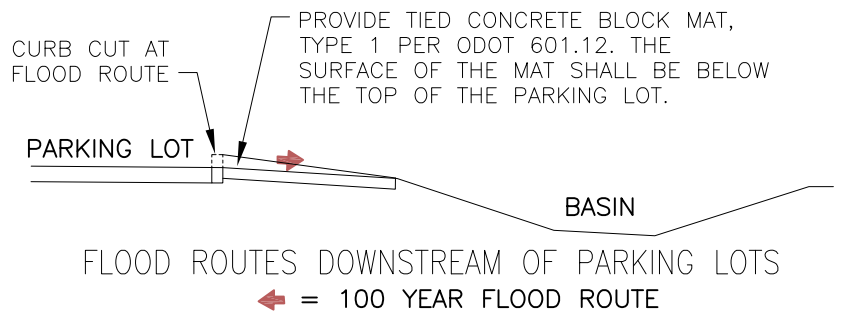
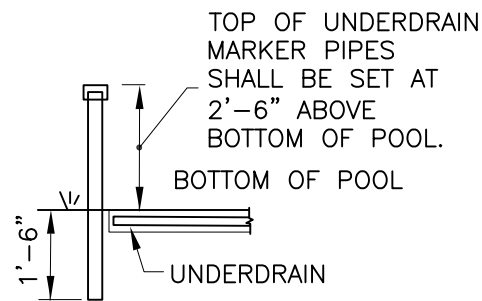
THE UNDERDRAIN SHALL BE 12" ADVANEDGE FLAT PANEL PIPE OR APPROVED EQUAL WITH FILTER FABRIC WRAP. THE FABRIC WRAP SHALL BE PER MANUFACTURER'S RECOMMENDATIONS. THE PANEL PIPE SHALL SLOPE POSITIVELY TOWARDS THE BASIN OUTLET STRUCTURE AND SHALL ENTER THE BASIN OUTLET STRUCTURE AT OR ABOVE THE THE STRUCTURE'S OUTLET PIPE'S INVERT ELEVATION.

THE CONTRACTOR SHALL INSTALL THE FLAT PANEL UNDERDRAINS AFTER COVER HAS BEEN ESTABLISHED.

UNDERDRAIN SHALL BE MARKED WITH A CAPPED 4" VERTICAL PVC PIPE STUBBED 2'-6" ABOVE THE BOTTOM OF THE FORBAY AND THE MICROPOL AS SHOWN BELOW:



UNDERDRAIN DETAIL



CHRIS E. BAUSERMAN, P.E., P.S.
 Delaware County Engineer

STANDARD CONSTRUCTION DRAWING
 DETENTION BASIN

DELAWARE COUNTY ENGINEER'S OFFICE
 50 Channing Street
 Delaware, Ohio 43015
 PHONE: (740)833-2400 FAX: (740)833-2399
 www.co.delaware.oh.us

Delaware County Engineer
 APPROVED 1-22-2008
 REVISED 12-19-2011

Drawn EM sheet 2 FILE NO.
 Checked EM of 2 DCED-S440B