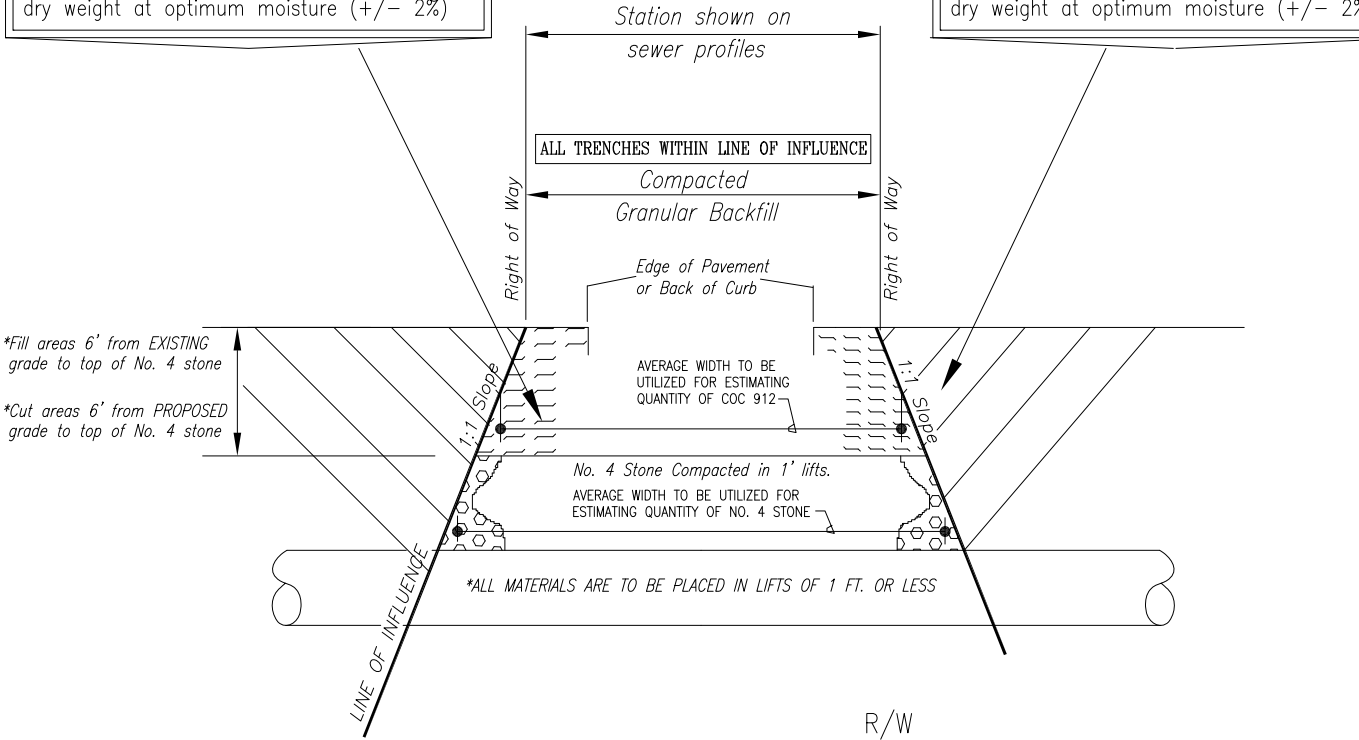
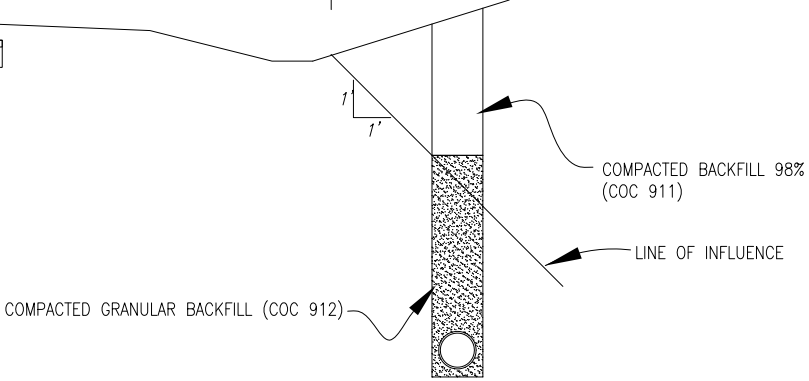


**AREAS WITHIN RIGHT-OF-WAY
(AND INSIDE THE LINE OF INFLUENCE)**
All trenches to be backfilled with COC 912 materials and compacted to 98% of maximum dry weight at optimum moisture (+/- 2%)

**AREAS OUTSIDE OF RIGHT-OF-WAY
BEYOND ZONE OF INFLUENCE**
All trenches to be backfilled with COC 911 materials and compacted to 95% of maximum dry weight at optimum moisture (+/- 2%)



*Fill areas 6' from EXISTING grade to top of No. 4 stone
*Cut areas 6' from PROPOSED grade to top of No. 4 stone



- MINIMUM CASING PIPE REQUIREMENTS FOR UTILITIES WHEN REQUIRED:
1. PRESSURIZED 12" DIA. OR LESS = C900
 2. PRESSURIZED GREATER THAN 12" DIA = C905
 3. NON-PRESSURIZED = SDR21 OR SCHEDULE 40

| | | | | | | | | | | |
|---|--|---|--|---|-----------------|----------------|----------|--------------------|-------------|------------------|
| <p>CHRIS E. BAUSERMAN, P.E., P.S. Delaware County Engineer</p> <hr/> <p style="text-align: center;"><i>Delaware County Engineer</i></p> | <p>STANDARD CONSTRUCTION DRAWING</p> <p>BACKFILL DETAIL</p> <p>STORM, SANITARY, AND UTILITIES</p> | <p>DELAWARE COUNTY ENGINEER'S OFFICE 50 Channing Street Delaware, Ohio 43015 PHONE: (740)833-2400 FAX: (740)833-2399 www.co.delaware.oh.us</p> | | | | | | | | |
| <table border="1" style="width: 100%; border-collapse: collapse;"> <tr> <td style="width: 50%;">APPROVED 1-22-2008</td> <td style="width: 50%;">REVISED 1-24-2011</td> </tr> </table> | APPROVED 1-22-2008 | REVISED 1-24-2011 | | <table border="1" style="width: 100%; border-collapse: collapse;"> <tr> <td style="width: 33%;">Drawn <u>KS</u></td> <td style="width: 33%;">sheet <u>1</u></td> <td style="width: 33%;">FILE NO.</td> </tr> <tr> <td>Checked <u>RJM</u></td> <td>of <u>1</u></td> <td>DCED-R100</td> </tr> </table> | Drawn <u>KS</u> | sheet <u>1</u> | FILE NO. | Checked <u>RJM</u> | of <u>1</u> | DCED-R100 |
| APPROVED 1-22-2008 | REVISED 1-24-2011 | | | | | | | | | |
| Drawn <u>KS</u> | sheet <u>1</u> | FILE NO. | | | | | | | | |
| Checked <u>RJM</u> | of <u>1</u> | DCED-R100 | | | | | | | | |