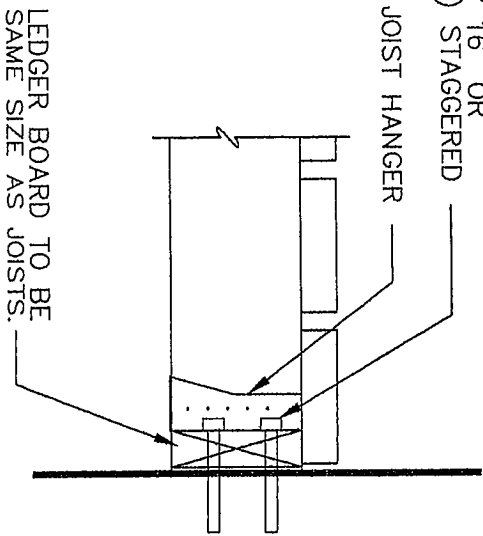


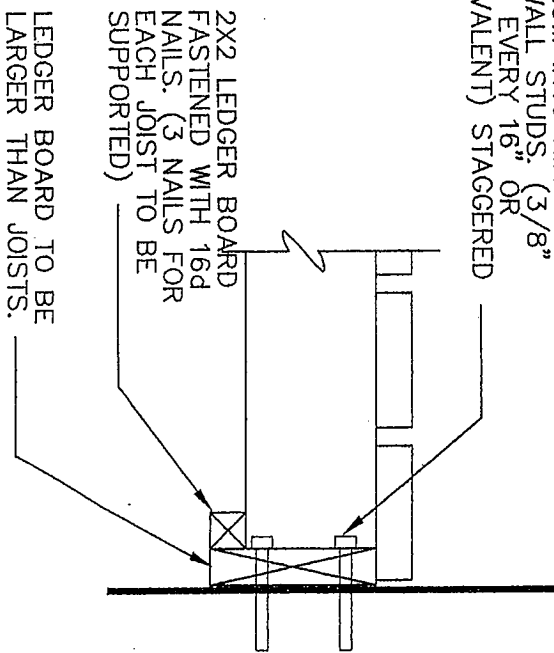
ACCEPTABLE TYPICAL HOUSE CONNECTIONS

RCO SECTION 502.2.1 AND TABLE 301.5

INSTALL LAG SCREWS THAT PENETRATE 1-1/2" MINIMUM INTO RIM JOIST OR WALL STUDS. (3/8" LAGS EVERY 16" OR EQUIVALENT) STAGGERED



INSTALL LAG SCREWS THAT PENETRATE 1-1/2" MINIMUM INTO RIM JOIST OR WALL STUDS. (3/8" LAGS EVERY 16" OR EQUIVALENT) STAGGERED



LEDGER DETAIL

ALTERNATE LEDGER